

ISOMETRIC VIEW



ARCHITECTURAL
METALFORMERS



smart tray™ Cladding

PROFILE TYPE:		Standing Seam Smart Tray System Drawings	
SCALE:	NTS	DRAWING NO.	SS-01
DATE:	2026	REVISION:	A

Standing Seam Cladding Package Sheet List

<i>Sheet Number</i>	<i>Sheet Name</i>	<i>Type</i>	<i>Date</i>
SS-01	PANEL PROFILE	AMF smart tray ™ Cladding - Standing Seam	10/03/2026
SS-01.1	SHEET LIST	AMF smart tray ™ Cladding - Standing Seam	10/03/2026
SS-02	HEAD DETAIL	AMF smart tray ™ Cladding - Standing Seam	10/03/2026
SS-03	JAMB DETAIL	AMF smart tray ™ Cladding - Standing Seam	10/03/2026
SS-04	SILL DETAIL	AMF smart tray ™ Cladding - Standing Seam	10/03/2026
SS-05	CLADDING BASE DETAIL	AMF smart tray ™ Cladding - Standing Seam	10/03/2026
SS-06	EXTERNAL CORNER DETAIL	AMF smart tray ™ Cladding - Standing Seam	10/03/2026
SS-07	INTERNAL CORNER DETAIL	AMF smart tray ™ Cladding - Standing Seam	10/03/2026
SS-08	SOFFIT DRIP EDGE	AMF smart tray ™ Cladding - Standing Seam	10/03/2026
SS-09	PARAPET CAP (INFINITY DETAIL)	AMF smart tray ™ Cladding - Standing Seam	10/03/2026
SS-10	PARAPET CAP	AMF smart tray ™ Cladding - Standing Seam	10/03/2026
SS-11	WALL ROOF TRANSITION (DETAIL A)	AMF smart tray ™ Cladding - Standing Seam	10/03/2026
SS-12	WALL ROOF TRANSITION (DETAIL B)	AMF smart tray ™ Cladding - Standing Seam	10/03/2026



ARCHITECTURAL
METALFORMERS



smart tray™ Cladding

PROFILE TYPE:

Standing Seam
Sheet List

SCALE:

NTS

DRAWING NO.

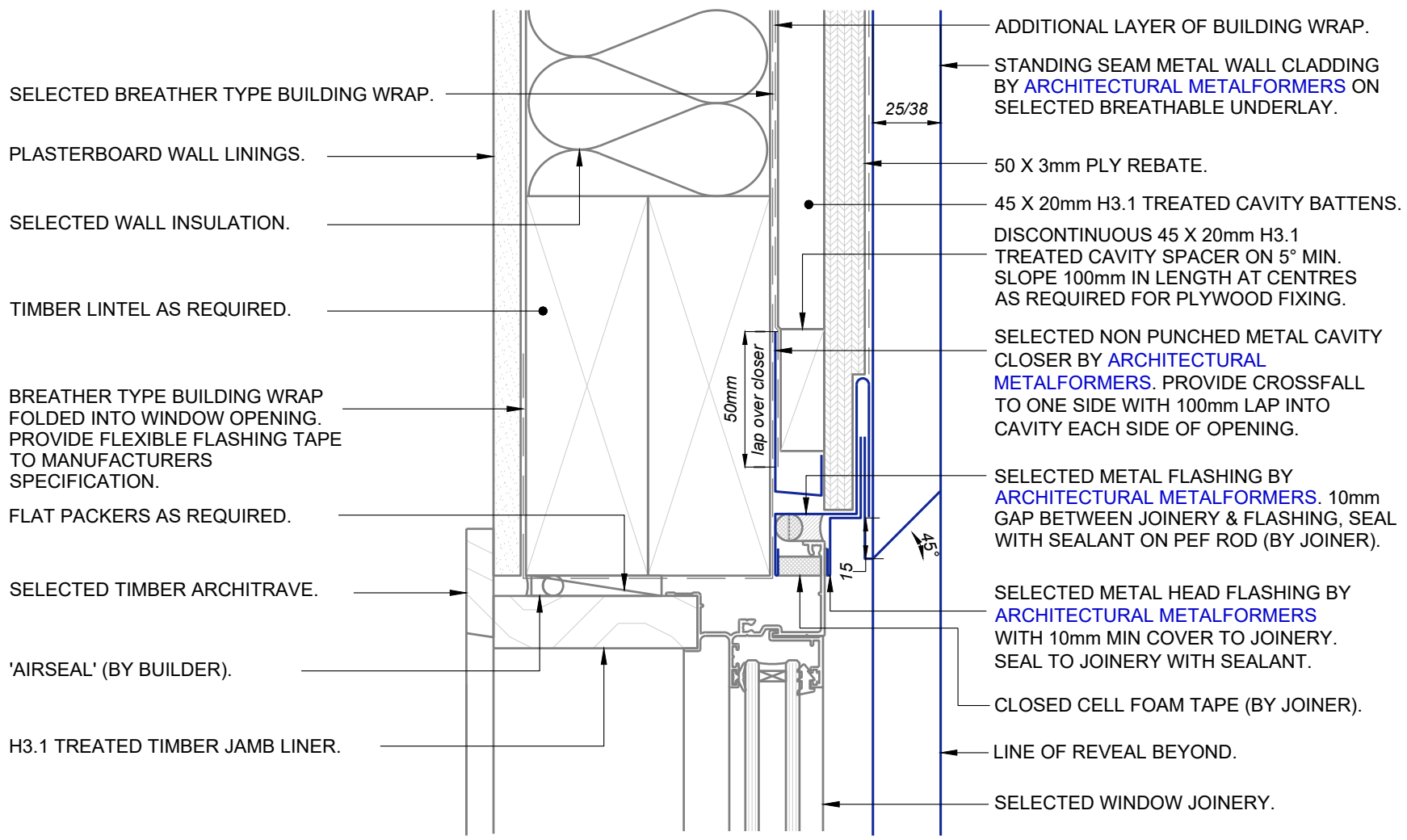
SS-01.1

REVISION:

A

DATE:

2026



ARCHITECTURAL METALFORMERS

smart tray™ Cladding

PROFILE TYPE:		Standing Seam	
		Head Detail	
SCALE:	NTS	DRAWING NO.	SS-02
DATE:	2026	REVISION:	A

DISCLAIMER: ALL DETAILS ARE TO BE USED FOR INDICATIVE PURPOSES ONLY AND THE DESIGNER SHOULD CONSULT BOTH THE MRM CODE OF PRACTICE VERSION 2.2 (2012, E2) AND ALL OTHER RELEVANT BUILDING CODES. DETAILS OF THE SUPPORTING MECHANISMS ARE INDICATIVE ONLY. COMPLIANCE OF THE SUPPORTING MECHANISMS IS THE RESPONSIBILITY OF THE DESIGNER. CONSTRUCTION DETAIL CAN VARY FOR WALL CLADDING. THE UNDERLAY IS DETAILED AS A SINGLE LINE FOR SIMPLICITY AND IS INDICATIVE ONLY. BUILDING PAPER TYPE AND METHOD OF INSTALLATION SHOULD COMPLY WITH UNDERLAY MANUFACTURERS RECOMMENDATIONS AND NZBC REGULATIONS.

BREATHER TYPE BUILDING WRAP FOLDED INTO WINDOW OPENING. PROVIDE FLEXIBLE FLASHING TAPE TO MANUFACTURERS SPECIFICATION.

PLASTERBOARD WALL LININGS.

FLAT PACKERS AS REQUIRED.

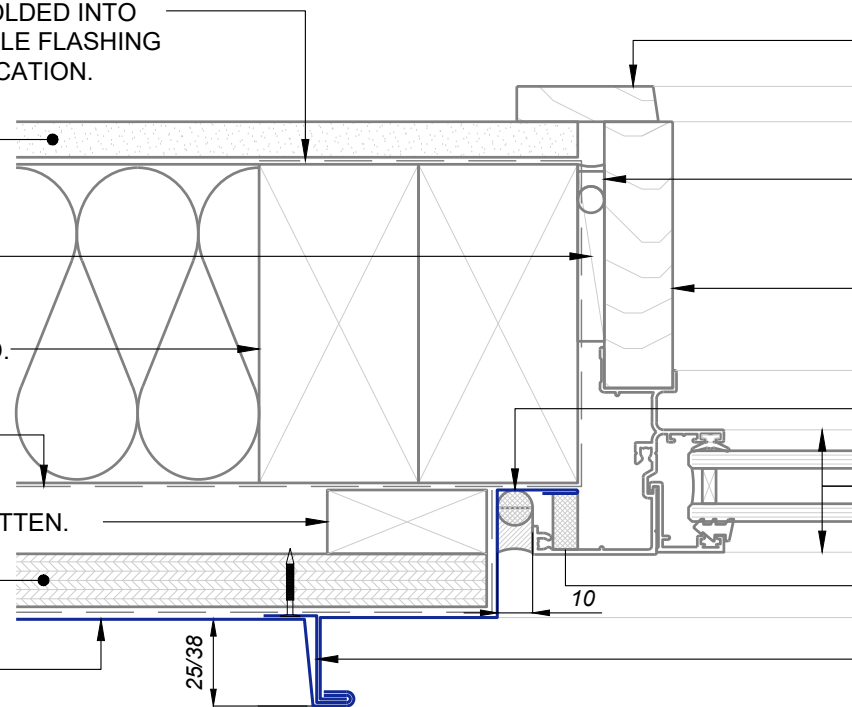
TIMBER UNDERSTUDS AS REQUIRED.

SELECTED BREATHER TYPE BUILDING WRAP.

45 X 20mm H3.1 TREATED CAVITY BATTEN.

15mm H3 CCA TREATED PLYWOOD.

STANDING SEAM METAL WALL CLADDING BY **ARCHITECTURAL METALFORMERS** ON SELECTED BREATHABLE UNDERLAY.



SELECTED TIMBER ARCHITRAVE.

'AIRSEAL' (BY BUILDER).

H3.1 TREATED TIMBER JAMB LINER.

10mm GAP BETWEEN JOINERY & FLASHING, SEAL WITH SEALANT ON PEF ROD (BY JOINER).

SELECTED WINDOW JOINERY.

CLOSED CELL FOAM TAPE (BY JOINER).

S/S BRACKET FIXED WITH 19mm S/S ANNULAR GROOVED NAILS.



ARCHITECTURAL
METALFORMERS



smart tray™ Cladding

PROFILE TYPE:

Standing Seam

Jamb Detail

SCALE:

NTS

DRAWING NO.

REVISION:

DATE:

2026

SS-03

A

FLAT PACKERS AS REQUIRED.

H3.1 TREATED TIMBER JAMB LINER.

LINE OF REVEAL BEYOND.

'AIRSEAL' (BY BUILDER).

TIMBER SILL TRIMMER.

BREATHABLE TYPE BUILDING WRAP FOLDED INTO WINDOW OPENING. PROVIDE FLEXIBLE FLASHING TAPE TO MANUFACTURERS SPECIFICATION.

PLASTERBOARD WALL LININGS.

CONTINUOUS 45 X 20mm H3.1 TREATED CAVITY BATTEN.

SELECTED WALL INSULATION.

SELECTED BREATHABLE TYPE BUILDING WRAP.

SELECTED WINDOW JOINERY.

PURPOSE MADE SILL TRAY (BY WINDOW JOINER) WITH 8mm MIN UPSTAND. PROVIDE 25mm MIN STOP ENDS TO FLASHING ENDS.

PROPRIETARY JOINERY SUPPORT UNIT ON FLAT PACKERS AS REQUIRED.

SELECTED METAL SILL FLASHING BY **ARCHITECTURAL METALFORMERS** WITH 5° MIN. CROSSFALL & 30mm MIN. COVER TO CLADDING.

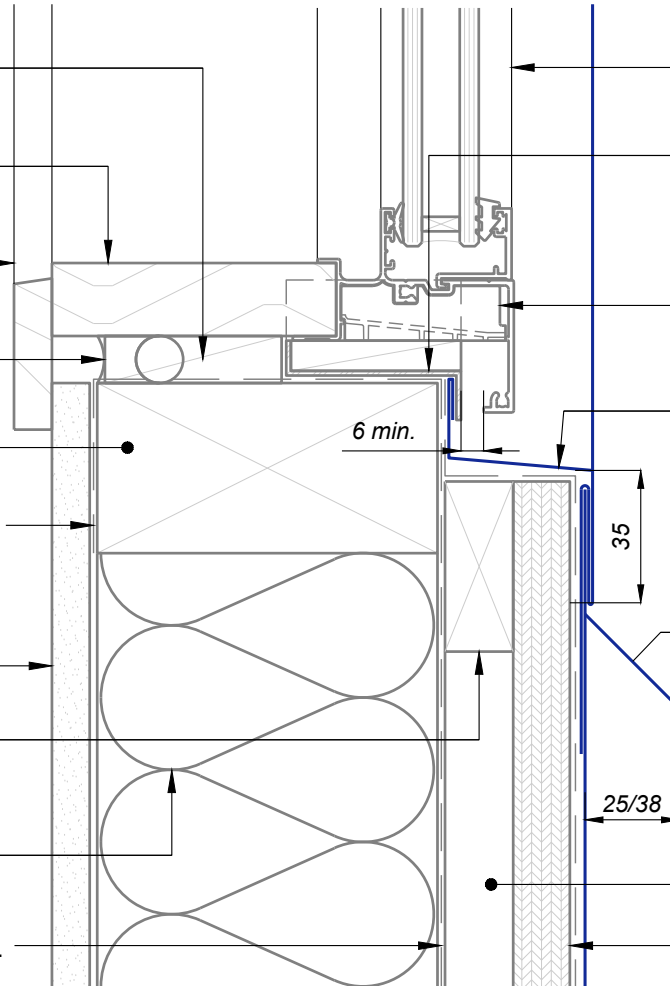
LINE OF REVEAL BEYOND.

CUT BACK STANDING SEAM CLADDING AT 45° ANGLE.

STANDING SEAM METAL WALL CLADDING BY **ARCHITECTURAL METALFORMERS** ON SELECTED BREATHABLE UNDERLAY.

45 X 20mm H3.1 TREATED CAVITY BATTENS.

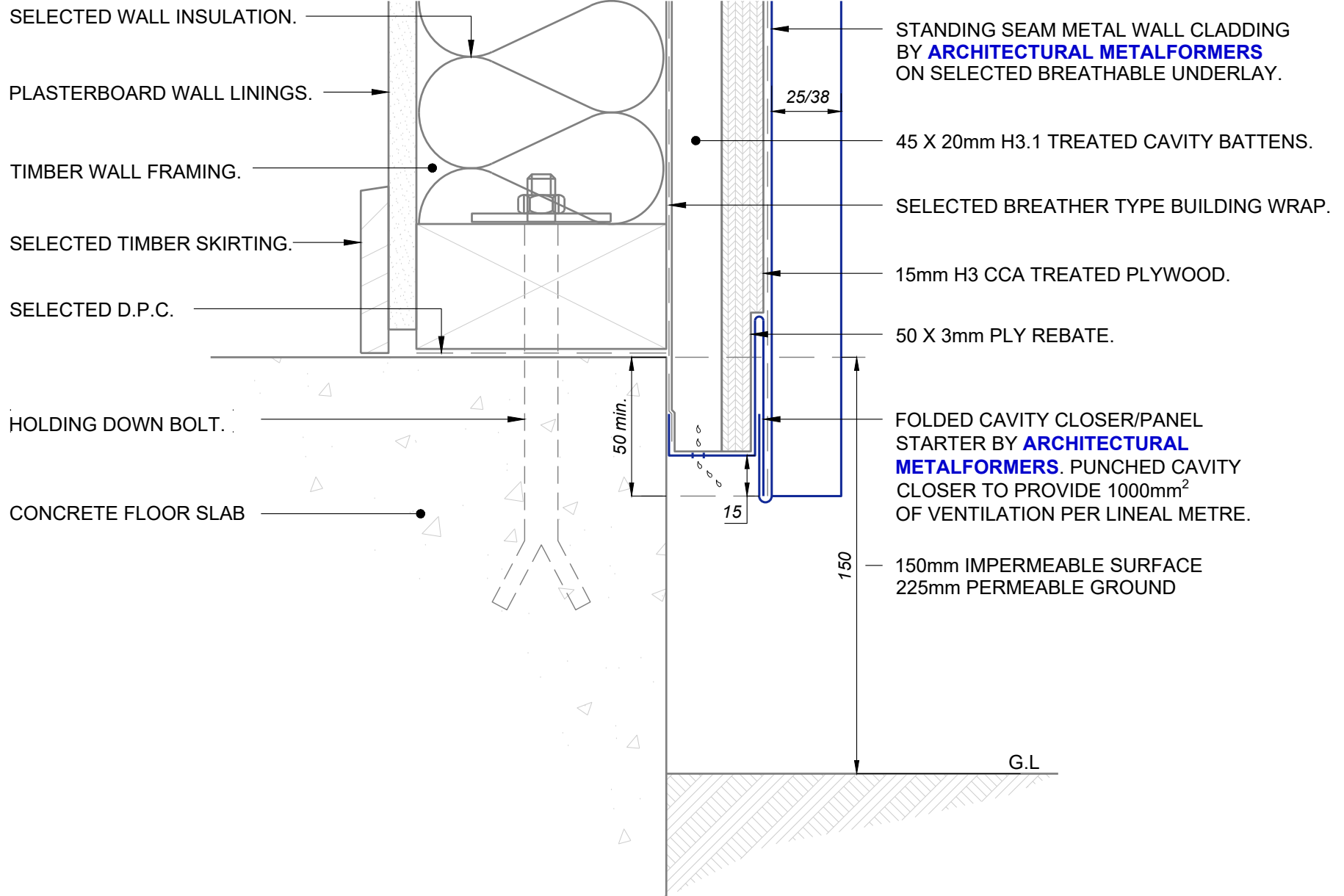
15mm H3 CCA TREATED PLYWOOD.



ARCHITECTURAL METALFORMERS

smart tray™ Cladding

PROFILE TYPE:		Standing Seam	
		Sill Detail	
SCALE:	NTS	DRAWING NO.	SS-04
DATE:	2026	REVISION:	A



ARCHITECTURAL
METALFORMERS



smart tray™ Cladding

PROFILE TYPE:

Standing Seam
Cladding Base Detail

SCALE:

NTS

DRAWING NO.

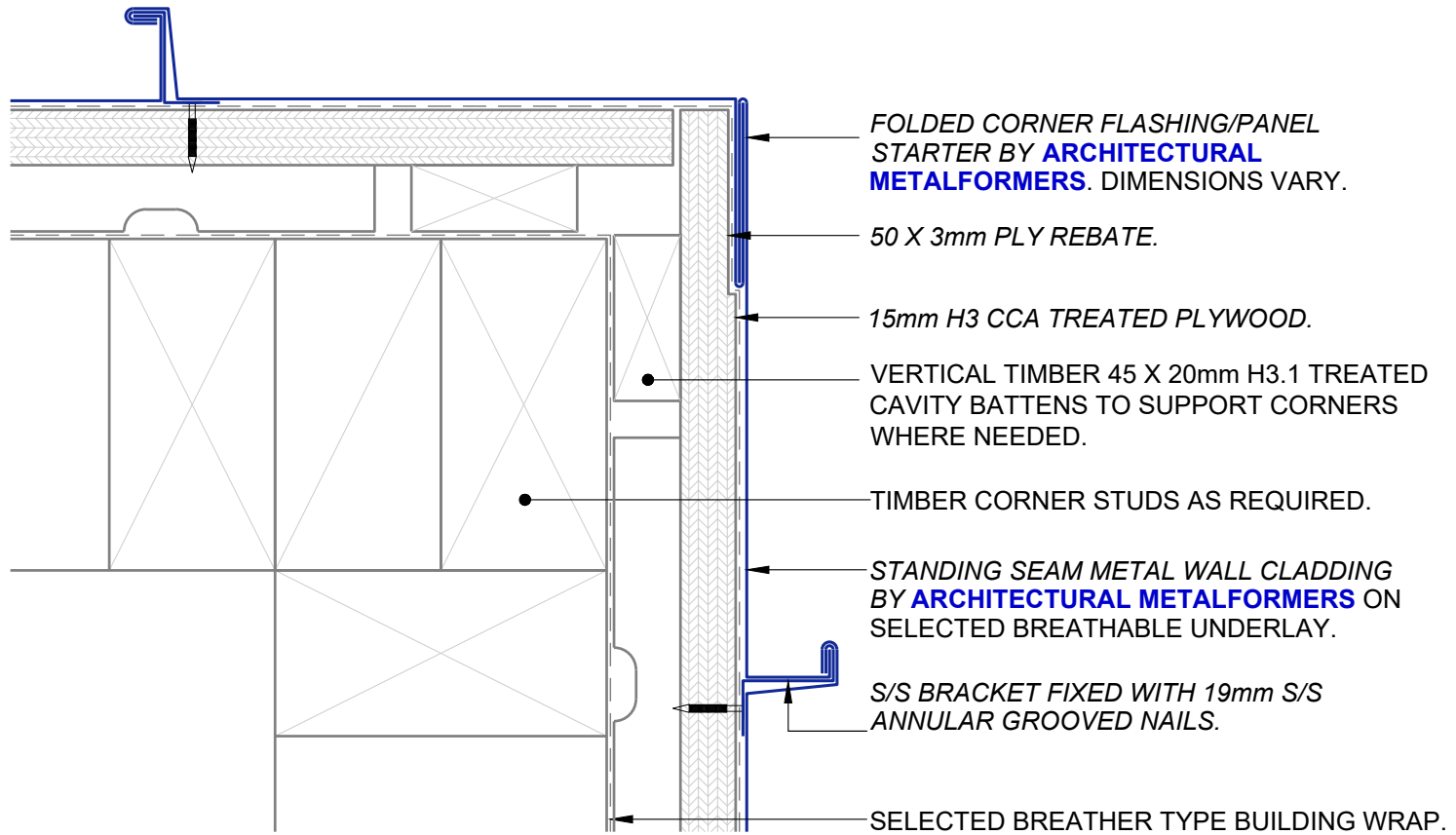
REVISION:

DATE:

2026

SS-05

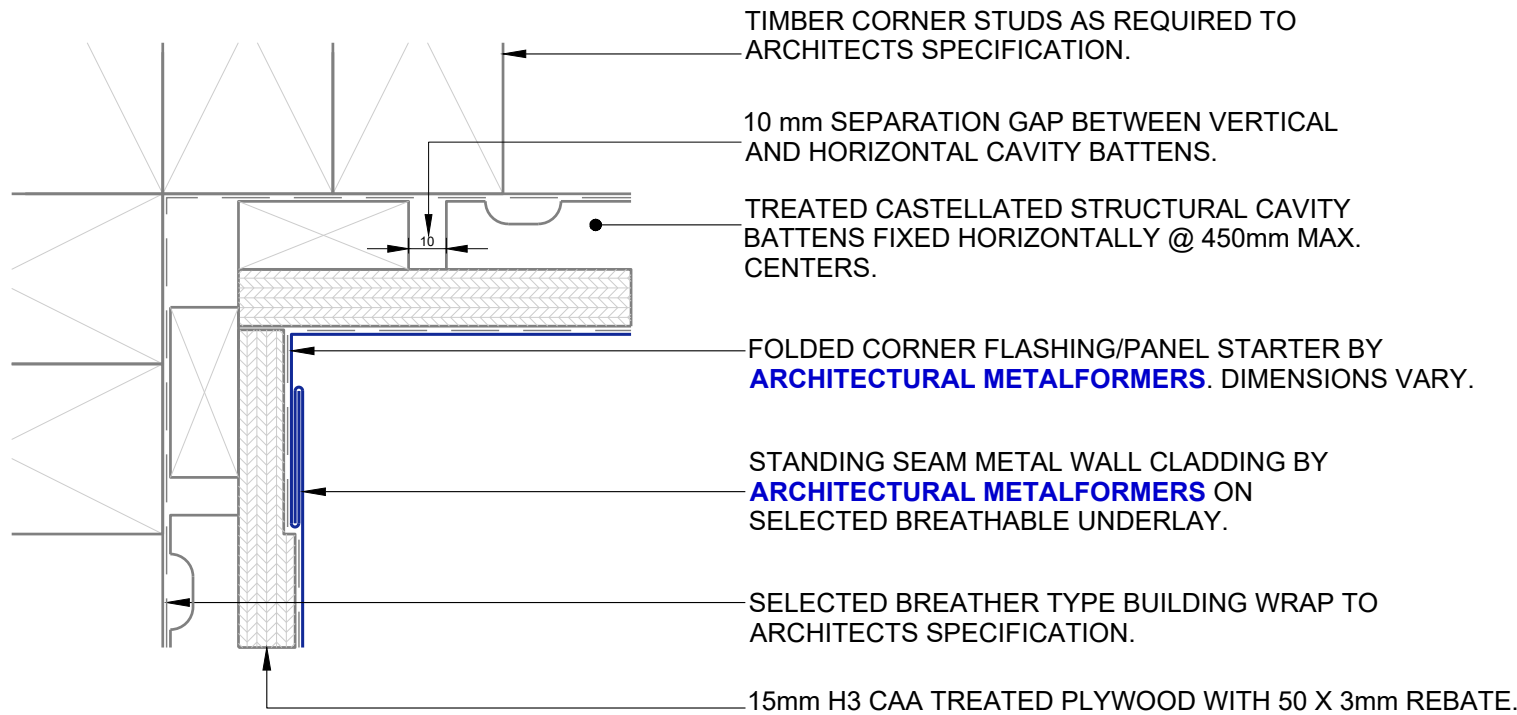
A



ARCHITECTURAL
METALFORMERS

smart tray™ Cladding

PROFILE TYPE:		Standing Seam	
		External Corner Detail	
SCALE:	NTS	DRAWING NO.	REVISION:
DATE:	2026	SS-06	A



TIMBER CORNER STUDS AS REQUIRED TO ARCHITECTS SPECIFICATION.

10 mm SEPARATION GAP BETWEEN VERTICAL AND HORIZONTAL CAVITY BATTENS.

TREATED CASTELLATED STRUCTURAL CAVITY BATTENS FIXED HORIZONTALLY @ 450mm MAX. CENTERS.

FOLDED CORNER FLASHING/PANEL STARTER BY **ARCHITECTURAL METALFORMERS**. DIMENSIONS VARY.

STANDING SEAM METAL WALL CLADDING BY **ARCHITECTURAL METALFORMERS** ON SELECTED BREATHABLE UNDERLAY.

SELECTED BREATHER TYPE BUILDING WRAP TO ARCHITECTS SPECIFICATION.

15mm H3 CAA TREATED PLYWOOD WITH 50 X 3mm REBATE.

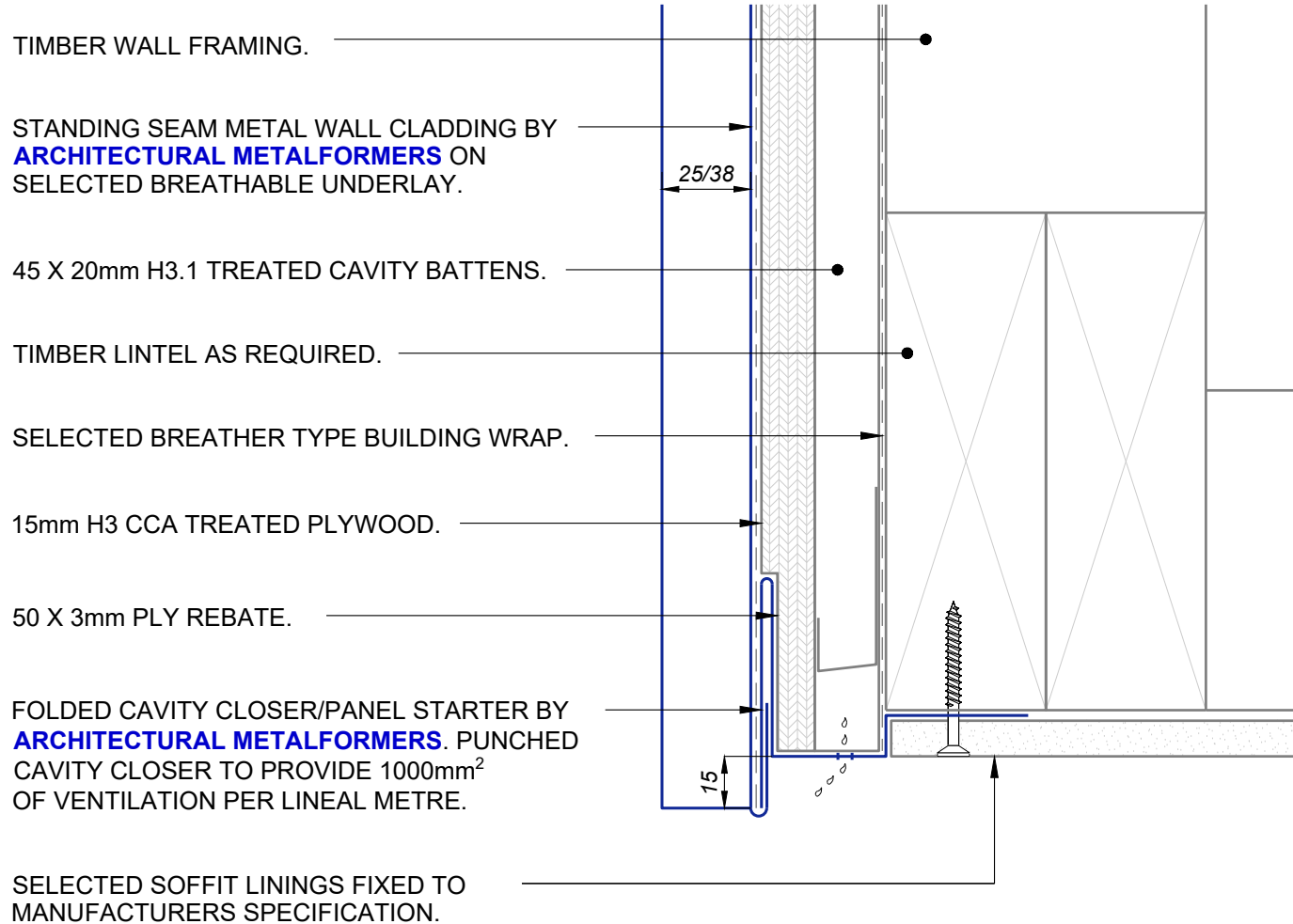


ARCHITECTURAL METALFORMERS

smart tray™ Cladding

PROFILE TYPE:		Standing Seam	
		Internal Corner Detail	
SCALE:	NTS	DRAWING NO.	SS-07
DATE:	2026	REVISION:	

DISCLAIMER: ALL DETAILS ARE TO BE USED FOR INDICATIVE PURPOSES ONLY AND THE DESIGNER SHOULD CONSULT BOTH THE MFM CODE OF PRACTICE VERSION 2.2 (2012, E2) AND ALL OTHER RELEVANT BUILDING CODES. DETAILS OF THE SUPPORTING MECHANISMS ARE INDICATIVE ONLY. COMPLIANCE OF THE SUPPORTING MECHANISMS IS THE RESPONSIBILITY OF THE DESIGNER. CONSTRUCTION DETAIL CAN VARY FOR WALL CLADDING. THE UNDERLAY IS DETAILED AS A SINGLE LINE FOR SIMPLICITY AND IS INDICATIVE ONLY. BUILDING PAPER TYPE AND METHOD OF INSTALLATION SHOULD COMPLY WITH UNDERLAY MANUFACTURERS RECOMMENDATIONS AND NZBC REGULATIONS.



ARCHITECTURAL
METALFORMERS



smart tray™ Cladding

PROFILE TYPE:

Standing Seam
Soffit Drip Edge

SCALE:

NTS

DRAWING NO.

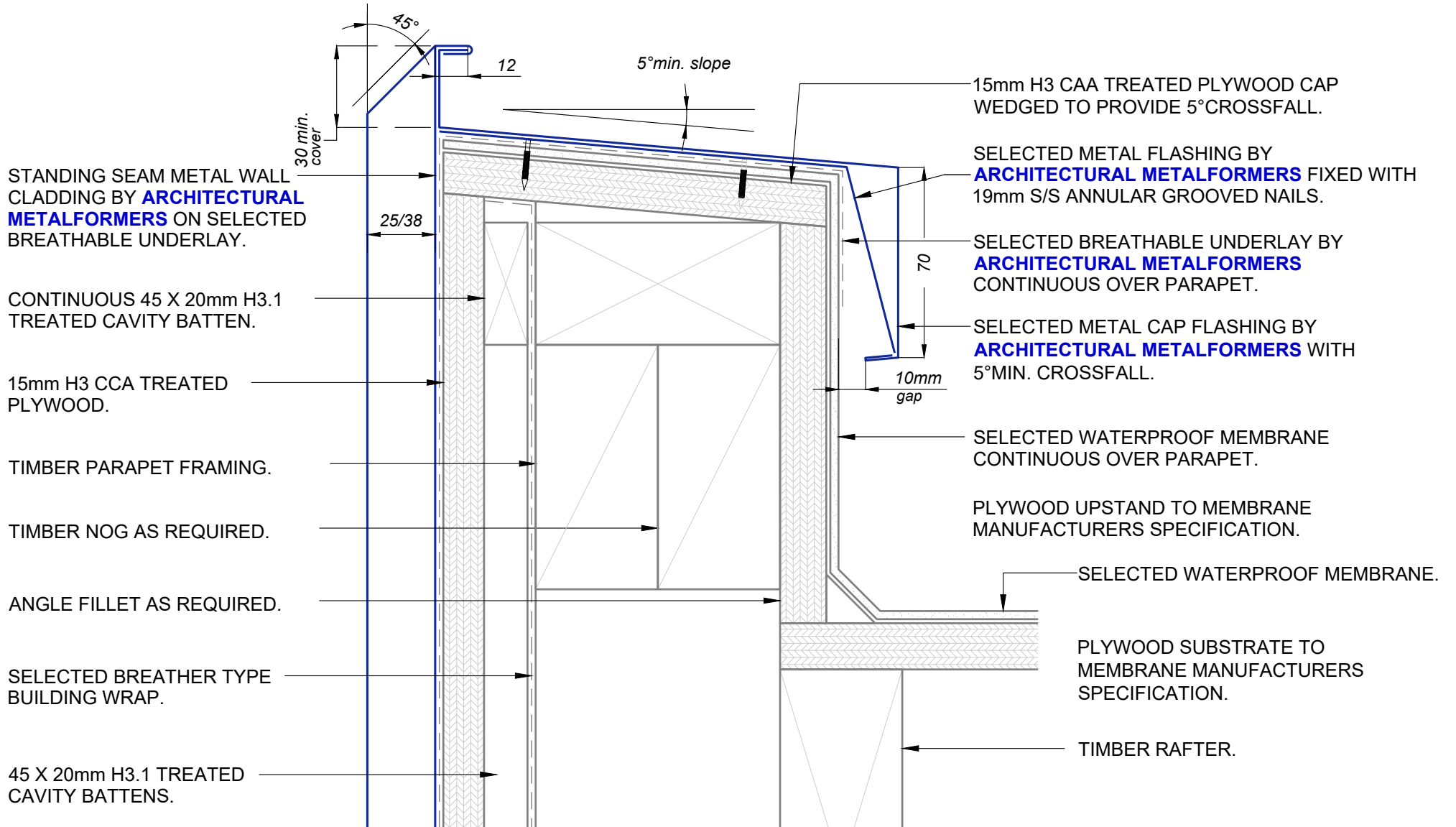
REVISION:

DATE:

2026

SS-08

A



ARCHITECTURAL
METALFORMERS

smart tray™ Cladding

PROFILE TYPE:		Standing Seam	
		Parapet Cap (Infinity Detail)	
SCALE:	NTS	DRAWING NO.	SS-09
DATE:	2026	REVISION:	A

SELECTED METAL FLASHING BY **ARCHITECTURAL METALFORMERS** FIXED WITH 25mm TEK SCREWS.

STANDING SEAM METAL WALL CLADDING BY **ARCHITECTURAL METALFORMERS** ON SELECTED BREATHABLE UNDERLAY.

CONTINUOUS 45 X 20mm H3.1 TREATED CAVITY BATTEN.

15mm H3 CCA TREATED PLYWOOD.

TIMBER PARAPET FRAMING.

TIMBER NOG AS REQUIRED.

ANGLE FILLET AS REQUIRED.

SELECTED BREATHABLE TYPE BUILDING WRAP.

45 X 20mm H3.1 TREATED CAVITY BATTENS.

5° min. slope

15mm H3 CCA TREATED PLYWOOD CAP WEDGED TO PROVIDE 5° CROSSFALL.

SELECTED METAL FLASHING BY **ARCHITECTURAL METALFORMERS** FIXED WITH 19mm S/S ANNULAR GROOVED NAILS.

SELECTED BREATHABLE UNDERLAY BY **ARCHITECTURAL METALFORMERS** CONTINUOUS OVER PARAPET.

SELECTED METAL CAP FLASHING BY **ARCHITECTURAL METALFORMERS** WITH 5° MIN. CROSSFALL.

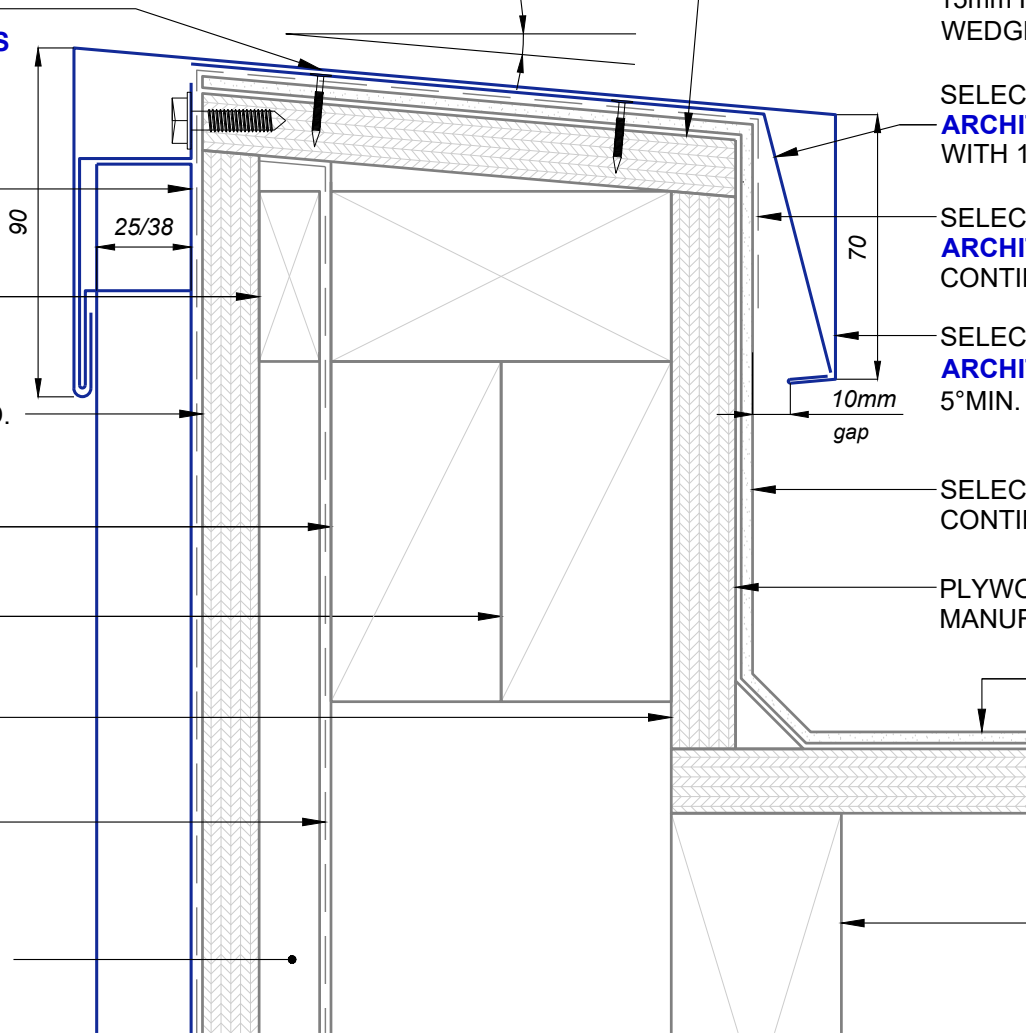
SELECTED WATERPROOF MEMBRANE CONTINUOUS OVER PARAPET.

PLYWOOD UPSTAND TO MEMBRANE MANUFACTURERS SPECIFICATION.

SELECTED WATERPROOF MEMBRANE.

PLYWOOD SUBSTRATE TO MEMBRANE MANUFACTURERS SPECIFICATION.

TIMBER RAFTER.



ARCHITECTURAL
METALFORMERS

smart tray™ Cladding

PROFILE TYPE:

Standing Seam
Parapet Cap

SCALE:

NTS

DRAWING NO.

SS-10

REVISION:

DATE:

2026

A

SELECTED METAL FLASHING BY **ARCHITECTURAL METALFORMERS** FIXED WITH 25mm TEK SCREWS.

STANDING SEAM METAL WALL CLADDING BY **ARCHITECTURAL METALFORMERS** ON SELECTED BREATHABLE UNDERLAY.

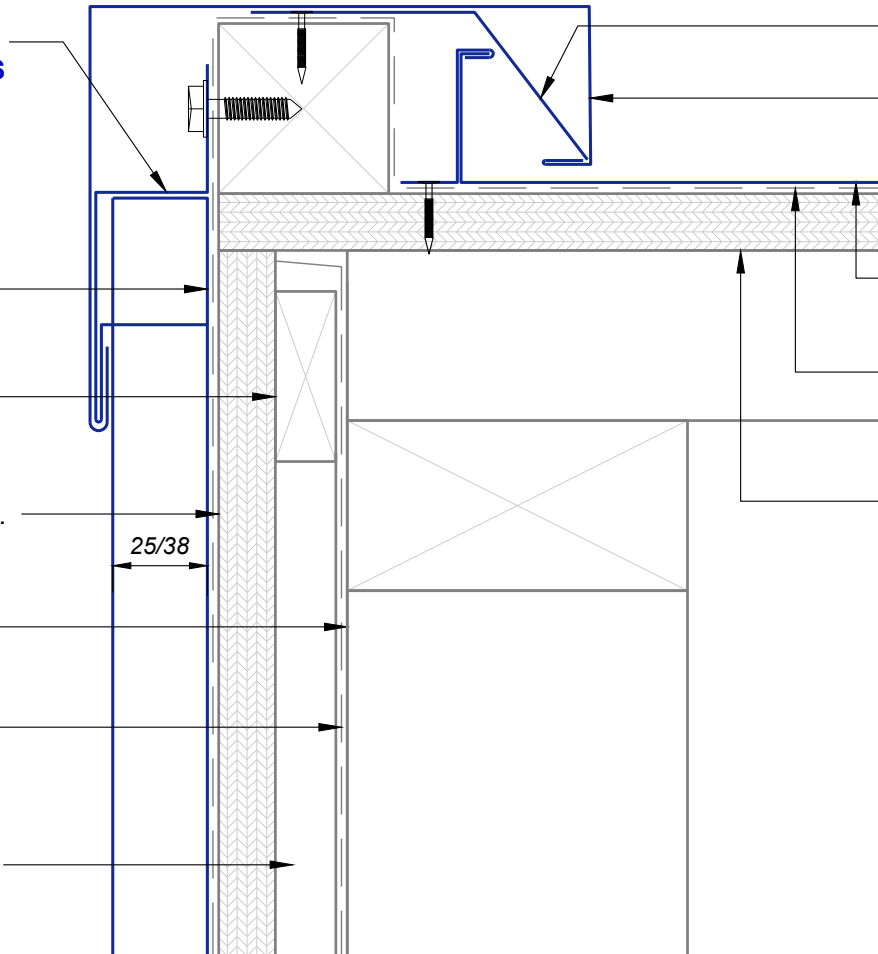
CONTINUOUS 45 X 20mm H3.1 TREATED CAVITY BATTEN.

15mm H3 CCA TREATED PLYWOOD.

TIMBER PARAPET FRAMING.

SELECTED BREATHER TYPE BUILDING WRAP.

45 X 20mm H3.1 TREATED CAVITY BATTENS.



SELECTED METAL FLASHING BY **ARCHITECTURAL METALFORMERS** FIXED WITH 19mm S/S ANNULAR GROOVED NAILS.

SELECTED METAL BARGE FLASHING BY **ARCHITECTURAL METALFORMERS**.

STANDING SEAM METAL ROOF CLADDING BY **ARCHITECTURAL METALFORMERS** ON SELECTED BREATHABLE UNDERLAY.

SELECTED BREATHABLE UNDERLAY BY **ARCHITECTURAL METALFORMERS** CONTINUOUS OVER PARAPET.

15mm H3 CAA TREATED PLYWOOD.



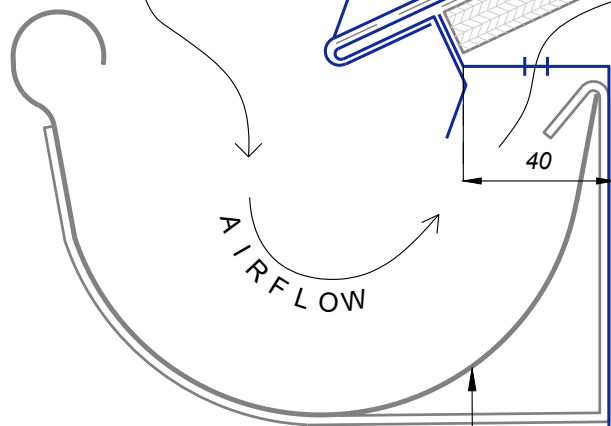
ARCHITECTURAL
METALFORMERS

smart tray™ Cladding

PROFILE TYPE:		Standing Seam	
		Wall - Roof Transition (Detail A)	
SCALE:	NTS	DRAWING NO.	SS-11
DATE:	2026	REVISION:	A

ROOFING UNDERLAY LAPS ONTO DRIP EDGE FLASHING WITH 75mm MIN. COVER.

METAL DRIP EDGE FLASHING BY **ARCHITECTURAL METALFORMERS** LAID ON SELECTED BREATHABLE UNDERLAY. FIX TO PLYWOOD WITH 19mm S/S ANNULAR GROOVED NAILS @ 200mm C/C.



SELECTED METAL SPOUTING BY **ARCHITECTURAL METALFORMERS** LAID TO FALLS.

SELECTED UNDER-FLASHING BY **ARCHITECTURAL METALFORMERS**.

STANDING SEAM METAL WALL PANEL BY **ARCHITECTURAL METALFORMERS** ON SELECTED BREATHABLE UNDERLAY.

STANDING SEAM METAL ROOF PANEL BY **ARCHITECTURAL METALFORMERS** ON SELECTED BREATHABLE UNDERLAY.

15mm H3 CCA TREATED PLYWOOD FIXED TO MANUFACTURERS SPECIFICATION.

TIMBER PURLINS WITH VENTILATION GROOVES TO ARCHITECTS SPECIFICATION.

TIMBER RAFTER/TRUSS TO ARCHITECTS SPECIFICATION.

15mm H3 CCA TREATED PLYWOOD FIXED TO MANUFACTURERS SPECIFICATION.

150 X 38mm H3.2 CAVITY BATTEN.

CAVITY



ARCHITECTURAL
METALFORMERS



smart tray™ Cladding

PROFILE TYPE:		Standing Seam	
		Wall - Roof Transition (Detail B)	
SCALE:	NTS	DRAWING NO.	SS-12
DATE:	2026	REVISION:	A